

Hydraulic Modernisation Solution HMS



KLEEMANN offers modernisation solutions in order to upgrade hydraulic lifts that combine both

- Energy Saving &
- Excellent Ride Quality



FULL HMS

Replacement of power unit & controller

- Advanced** Energy saving up to 60%
Power unit with BLAIN EV4 and L10
Inverter Yaskawa L1000H Opl
Controller (wiring, COP, LOP, LIP)
- Medium**
Power unit with BUCHER i-valve
Soft starter
Controller (wiring, COP, LOP, LIP)
- Simple**
Power unit with BUCHER i-valve
Controller (wiring, COP, LOP, LIP)

SMART HMS

Replacement of power unit

- Advanced** Energy saving up to 40%
Power unit with BLAIN EV4
Inverter Yaskawa L1000H Opl
- Medium**
Power unit with BUCHER i-valve
- Simple**
Power unit with BLAIN EV100

MINI HMS

Keep existing power unit

- Advanced**
Conversion of mechanical EV100 to electronic EV4 in up travel
Inverter Yaskawa L1000H Opl
- Medium**
Replacement of old valve (adjustment kit included)
Inverter Yaskawa L1000H Opl
- Simple**
Soft starter in existing KLEEMANN controller

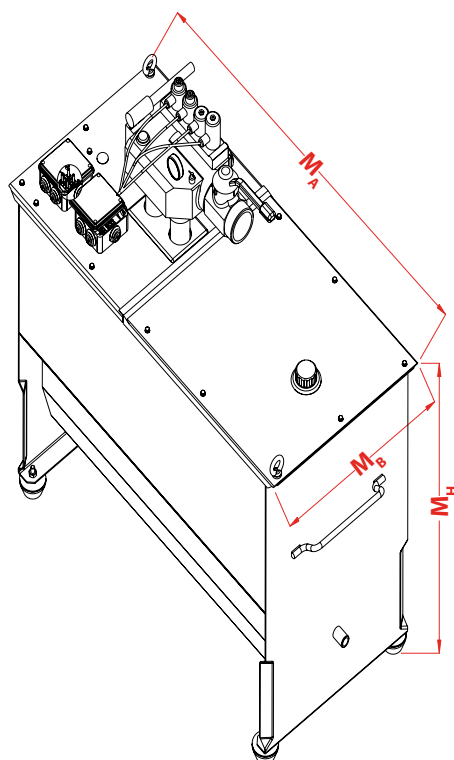
Contact us at modernisation@kleemannlifts.com

Hydraulic Modernisation Solution HMS

Advantages

- Plug & Play solution.
- No up adjustment is required.
- No interface between valve and inverter.
- Adjustable functions through the inverter.
- Oil temperature decrease up to 48%.
- Test before delivery.
- A3 upgrade.
- Leveling accuracy +-3mm.
- Reduced motor starting current.

EN81-2 A3 Certified



Power Unit							
Model	Length M_A (mm)	Breadth M_B (mm)	Height M_H (mm)	Height (Blain) (mm)	Height (iValve) (mm)	Total Volume (Lit)	Service able volume (Lit)
T150	821	516	705	885	980	127	55
T250	1072	516	790	1000	1090	206	110
T350	1072	516	990	1220	1290	305	207
T450	1323	516	990	1220	1290	385	260
Inverter cabinet	690	560	200				
Controller cabinet	1000	700	300				

*customize dimensions upon request

products-hydraulic_modernisation_solution_hms-en-20180324