



MARINE SOLUTIONS



KLEEMANN
Your 1st Choice in Lifts



FERRIES

CARGO SHIPS

CRUISE SHIPS

LUXURY YACHTS

OFFSHORE



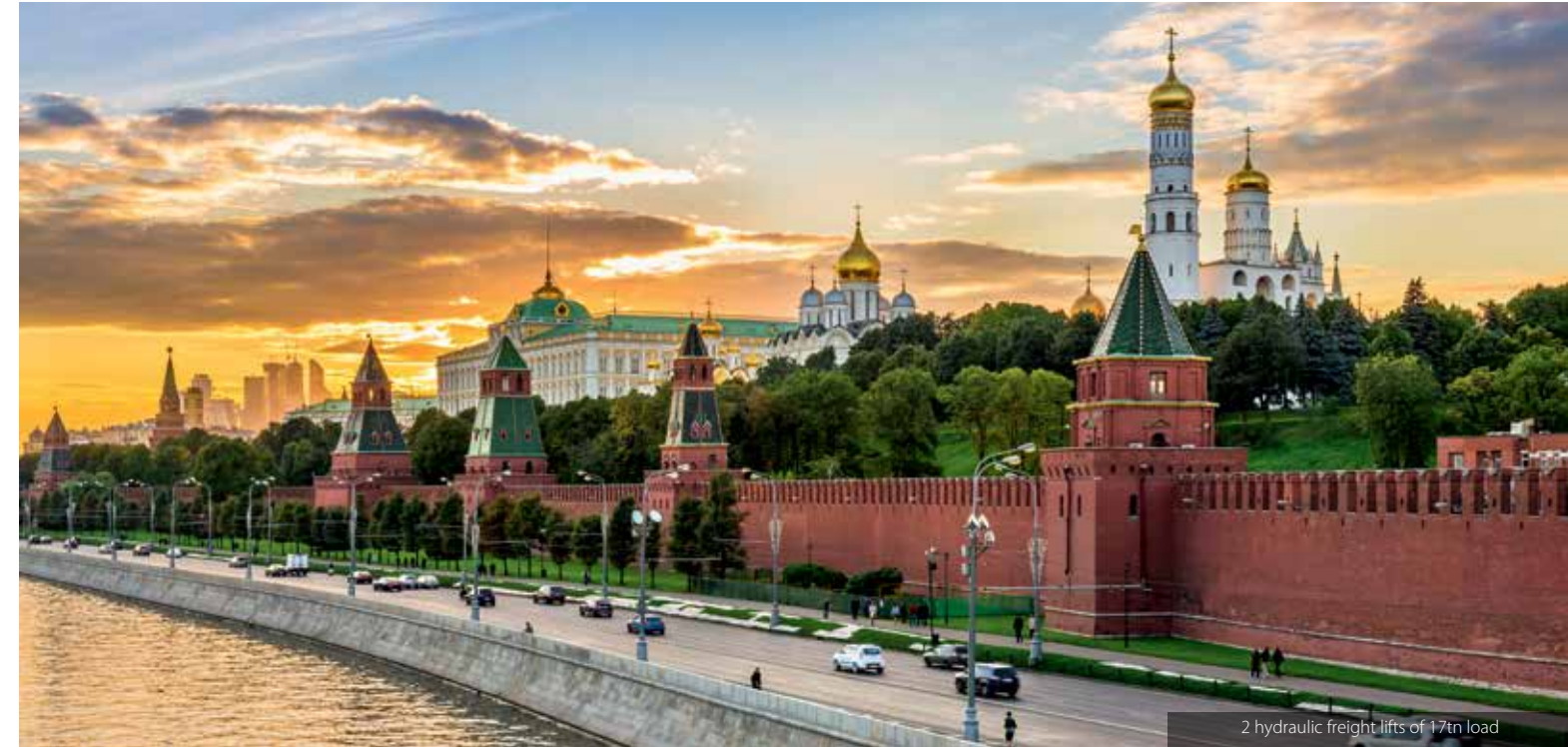
KLEEMANN Testing Tower, Greece

KLEEMANN is one of the major lift manufacturers in the European and global market. Carrying a long experience in the lift industry, KLEEMANN is proud of its strong global brand name, strongly linked with the high quality standards and the flexible specialised solutions for which the company is renowned.



2 traction lifts serving the public and 1 hydraulic serving the staff

Nobu Restaurant, Qatar



2 hydraulic freight lifts of 17tn load

Kremlin, Russia

With company-owned manufacturing facilities in Greece, Serbia and China, assembly lines in Turkey and Russia, KLEEMANN caters to the needs of every market through constant use of state-of-the-art mechanical equipment built according to its high safety standards.

Guided by consistency, flexibility, fast service, innovation and development, the company remains one of the key global market players in lift manufacturing and the first choice when it comes to customised projects with special specifications.

The industry's preference for KLEEMANN is closely interrelated with the credibility of the KLEEMANN brand, the special innovative design and the flexible and prompt service, as well as the importance given to continuous development.

KLEEMANN exports to more than 100 countries worldwide, among them being the United Kingdom, Germany, Ireland, Belgium, the Netherlands, Russia, New Zealand, Romania, Turkey, Australia & Cyprus. Following successful strategies and careful investments, the company remains one of the financially healthiest companies in Europe.



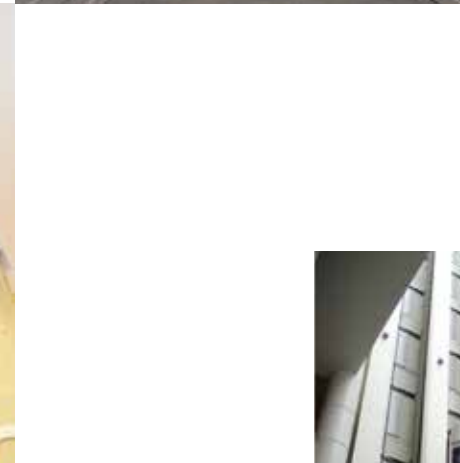
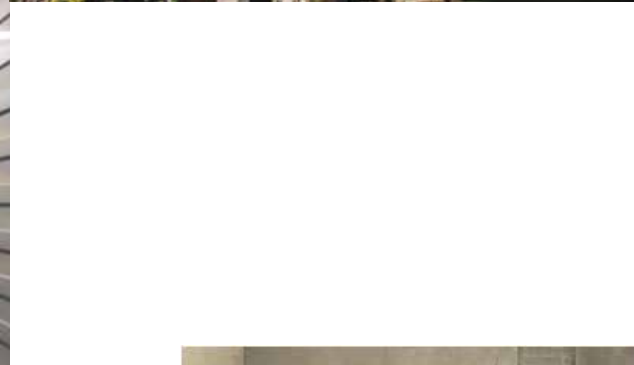
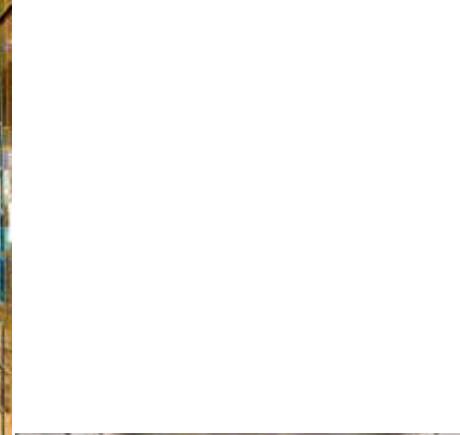
2 traction lifts with custom-made panoramic cabin

Mary Rose Museum, UK

With cutting-edge technology and engineers of a high scientific level, KLEEMANN has been developing new products and introducing specialised solutions. Guided by safety and quality standards and by its commitment to constant growth and innovation, the company offers:

- Passenger lifts
- Freight lifts
- Escalators and Moving walks
- Parking Systems
- Modernisation Solutions
- Marine Solutions

The R & D department mainly focuses on searching for new technologies and market trends in order to improve its products and achieve flexible design and constant evolution of the parts included in a lift. Each new product is tested in real conditions, enabling our engineers to substantiate and perfect it, prior to its accession to full production.





Within the context of its excellence policy, KLEEMANN sets a high value on quality and reliability and therefore commits itself to designing, manufacturing and offering its customers certified superior quality products and services.

The implemented Quality Assurance System meets all safety and quality requirements. KLEEMANN applies the following standards:

- EN ISO 9001: 2015 [Quality Management System]
- OHSAS 18001: 2007 [Occupational Health and Safety Management System]
- EN ISO 14001: 2015 [Environmental Management System]
- EN ISO 14006: 2011 [Eco Product Design]



KLEEMANN Marine solutions comply with IACS classification societies:





KLEEMANN elevators for passenger and cargo vessels are designed according to international standards and meet the requirements of the high demanding sea environment.

Advantages

Outstanding ride quality

KLEEMANN Products were designed to deliver premium quality and passenger comfort. Featuring low levels of sound and vibration, they fulfil even the most demanding specifications.

Safety

Feel safe and secure with the guarantee of complete passenger safety.

Ease of installation

Designed for ease of installation and use, reliability and spatial efficiency.

Eco-friendly

Regeneration systems are available to provide exceptional ride quality whilst reducing energy by up to 60%.

Design

Unique tailor-made design options are customised according to your specific needs and the aesthetics of your space and building.

Fast delivery

Place your order and enjoy express delivery.

GREEN FEATURES

Green features provide excellent ride quality whilst reducing energy consumption by up to 60%.

UPTO **60%** LESS ENERGY



Regeneration Drive

The regeneration unit has been developed to recover excess energy from the lift when the empty car travels upwards or the fully loaded car travels downwards. The recovered energy is recycled during further operation of the lift. The regeneration unit produces clean energy without causing disruptions to the network.

Stand By Mode

When the lift is not in use, the Stand By Mode saves energy for the electronic subsystems.

x 20

TIMES LONGER

Led Lighting

Led lighting reduces energy consumption and lasts 20 times longer compared to standard lighting.



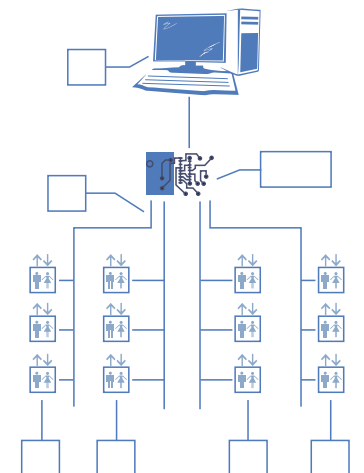
DESTINATION CONTROL SYSTEM

The Destination Control System combines the features of energy saving and cost reduction with safety and passengers' comfort. It incorporates a variety of advanced sorting technologies, such as expert system, fuzzy logic and neural network, in order to ensure high efficiency and safety of the lift, which is based on CAN bus technology. The system guides passengers to the assigned lift, reducing the average waiting time and the long-time waiting rate, contributing to less crowded reception areas. The upgraded efficiency function can reduce the total number of lifts installed and its most effective selection process leads to fewer unnecessary stops, reducing the total energy consumption.



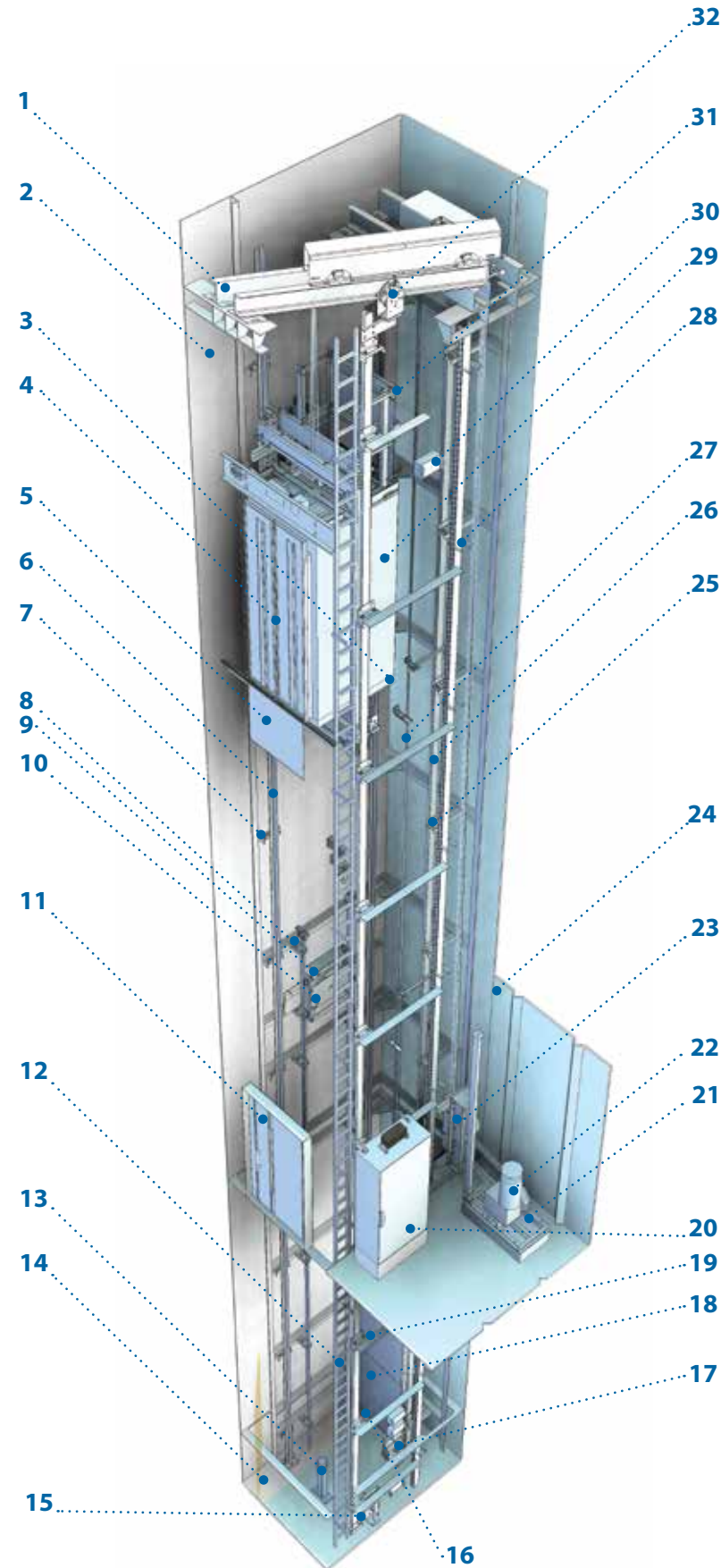
REMOTE MONITORING SYSTEM

The Remote Monitoring System allows the management of lifts installed in one or several vessels, from a remote control room. The system is CAN Bus based and the connected lifts can be monitored through an intelligent and user friendly software installed on your PC. Features, such as real-time fault and operational mode recognition, intelligent fault recognition functions, the simultaneous monitoring of multiple lifts, the ability to control and adjust the lifts, the reports and analysis of the lifts performance make the system a versatile tool for managing vessels.

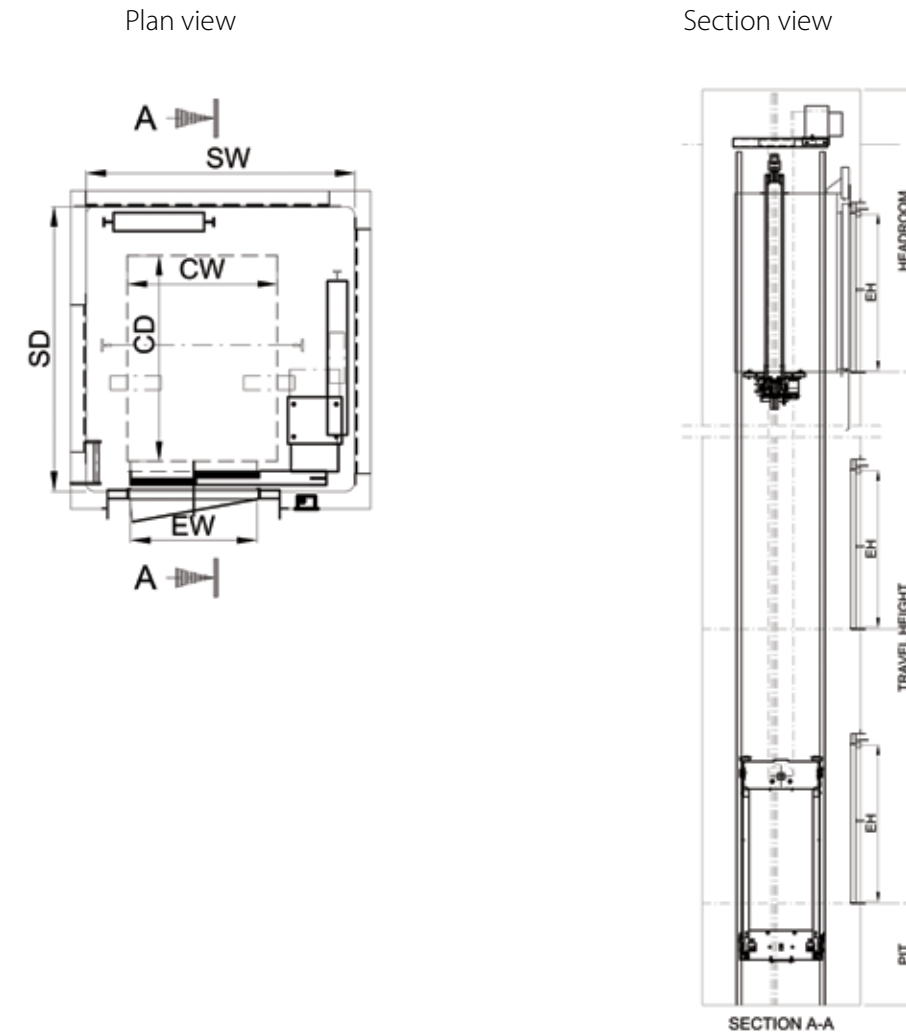


Elevator Parts

1. Diverting Pulley Space
2. Elevator Trunk
3. Car Frame
4. Car Doors
5. Car Apron
6. Car Guide rails
7. Car Guide Rail Bracket
8. Travelling Cable Guide Rail Bracket
9. Travelling Cable Trolley
10. Travelling Cable Guide Rail
11. Landing Door
12. Trunk Ladder
13. Car Buffer
14. Pit
15. Car Tension Sheave
16. Counterweight Buffer
17. Counterweight Tension Sheave
18. Counterweight Protection Screen
19. Counterweight
20. Controller Cabinet
21. Machine Base
22. Traction machine
23. Diverting Pulleys
24. Machine Room
25. Counterweight Guide Rail Bracket
26. Counterweight Guide Rail
27. Wire Ropes
28. Metal Cable Trunk
29. Cabin
30. Cable Junction Box
31. Car Balustrade
32. Car Overspeed Governor



MACHINE ROOMLESS SOLUTION (MRL)



Standard Dimensions

Load Capacity (Persons)	Speed	Entrance Dimensions (mm)	Internal Car Dimensions (mm)	Trunk Dimensions (mm)	Pit Depth	Overhead Height
		EWxEH	CWxCD	SWxSD		
300 kg (4 persons)	1m/s	800x2000	900x1050	1600x1600	1150	3900
	1.6m/s					
500 kg (6 persons)	1m/s	800x2000	950x1300	1650x1800	1150	3900
	1.6m/s					
750 kg (10 persons)	1m/s	900x2000	1200x1500	1900x2050	950	3900
	1.6m/s					
1000 kg (14 persons)	1m/s	900x2000	1100x2100	1800x2500	950	3900
	1.6m/s					
1600 kg (22 persons)	1m/s	1300x2000	1500x2300	2400x2700	1200	3900
	1.6m/s					
2000 kg (27 persons)	1m/s	1300x2000	1600x2500	2500x2900	1200	3900
	1.6m/s					

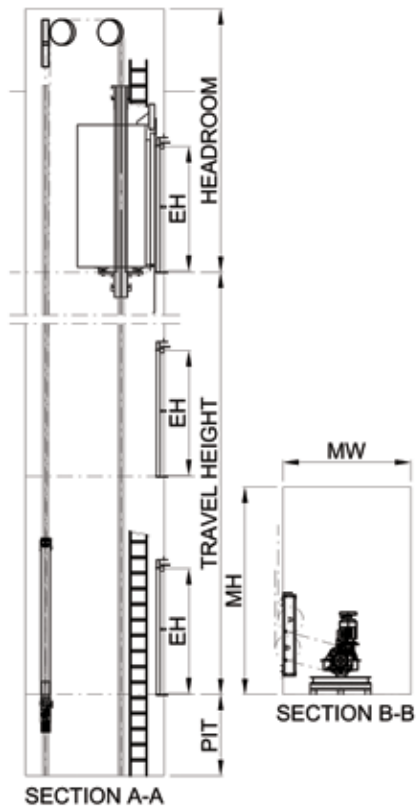
Notes: 1. Trunk dimensions are the clear dimension except the deck cutting (opening), stiffener, insulation and etc.
2. Please contact KLEEMANN for any other specifications

MACHINE ROOM SOLUTIONS

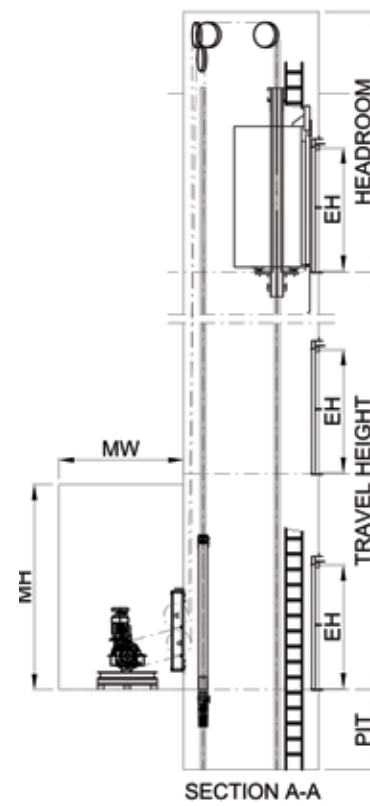
Trunk and Machine Room Section View

Machine Room Position:

1. Beside the trunk



2. Behind the trunk



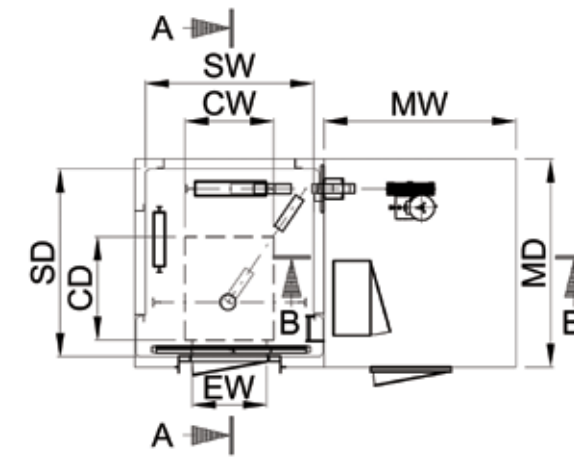
3. Above the trunk



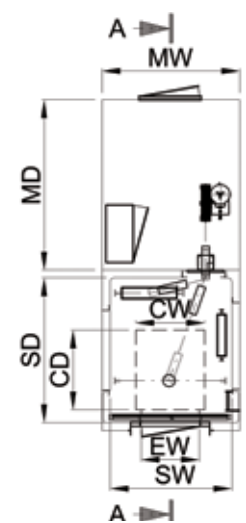
Trunk and Machine Room Plan View

Machine Room Position:

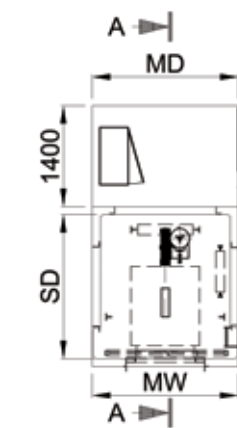
1. Beside the trunk



2. Behind the trunk



3. Above the trunk



Standard Dimensions

Load Capacity (Persons)	Speed	Entrance Dimensions (mm) EWxEH	Internal Car Dimensions (mm) CWxCD	Trunk Dimensions (mm) SWxSD	Pit Depth	Overhead Height Final	
						Basement	Overhead
300 kg (4 persons)	1m/s	800x2000	950x1100	1800x1800	1200	4500	3850
	1.6m/s				1300		
500 kg (6 persons)	1m/s	800x2000	950x1300	1800x2000	1200	4600	3850
	1.6m/s				1300		
750 kg (10 persons)	1m/s	900x2000	1200x1500	2000x2200	1200	4500	3850
	1.6m/s				1300		
1000 kg (14 persons)	1m/s	900x2000	1100x2100	2000x2800	1250		3850
	1.6m/s				1350		4050
1600 kg (22 persons)	1m/s	1300x2000	1500x2300	2800x3000	1250		3850
	1.6m/s				1350		4050
2000 kg (27 persons)	1m/s	1300x2000	1600x2500	2700x3200	1250*		3850*
	1.6m/s				1350*		4050*

Notes: 1. Trunk dimensions are the clear dimension except the deck cutting (opening), stiffener, insulation and etc.
2. Please contact KLEEMANN for any other specifications.

At KLEEMANN we welcome you to a new friendly futuristic age. It is the age of designing lifts beyond the prescribed limits, for people who live the feelings and feel the life.

Our aim at KLEEMANN is to create new, unique sensations for the lift passenger. We meet every passenger's need and aesthetic demands. We maximise passenger satisfaction, we present "KLEEMANN Design".

Focused on our innovation strategy KLEEMANN special Design Team serves as the creative force behind the development of elevators for your challenging projects. Our designers combine solution-oriented design with a service-driven approach, providing:

- High quality virtual proposals
- Digital animation of your project
- Architectural design assistance directly with you
- Architectural assistance to determine materials
- On site visit/feedback from you

Design options for passenger elevators



KLEEMANN Design is about transforming the elevator experience into a new value for the people, the building, and the environment.



Design options for scenic elevators

Polygonal Panoramic Mehrseitige Panorama Kabine



Mushroom Panoramic Muschelförmige Panorama Kabine



Curved Panoramic Halbkreis Panorama Kabine



Round Panoramic Runde Panorama Kabine



Design options for crew and goods elevators

MODERN LIFE L310 1



MODERN LIFE L310 2



KLEEMANN Design is so versatile that can cover every prerequisite, adapt regulations and surpass any obstacle and restriction. Contact us at marine@kleemannlifts.com for custom-made solutions.

View some of the projects KLEEMANN undertook for ferries, luxury yachts and oil rigs.

CAT D RIGS

Oil-rig info Songa Offshore, Norway
 KLEEMANN info 4 goods-passenger elevators, 10tons



F/B ELYROS

Ship info ANEK Lines, Greece
 Length 192 mtrs
 Width 27 mtrs
 Speed 24 knots
 Passengers 1874
 KLEEMANN info 3 passenger elevators

PROJECT CZAR

Ship info Private Cruise
 Length 120 mtrs
 Width 17 mtrs
 Speed 18 knots
 Passengers 54
 KLEEMANN info 5 passenger elevators



MARAN HERMES OIL TANKER

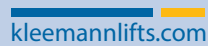
Ship info Maran Gas, Greece
 Length 274 mtrs
 Width 48 mtrs
 Speed 7 knots
 KLEEMANN info 1 crew elevator



KLEEMANN has a global service network and covers technical support to all major ports. China, United Arab Emirates, Netherlands, Germany, Saudi Arabia, United Kingdom, South Africa, Australia are few of the 100 countries where you can find 24/7 service for KLEEMANN products.

Proud member of:



kleemannlifts.com

Contact us at
marine@kleemannlifts.com

While every effort has been made to ensure information accuracy,
KLEEMANN bears no responsibility for typographic errors or omissions.

Copyright © KLEEMANN 2020

